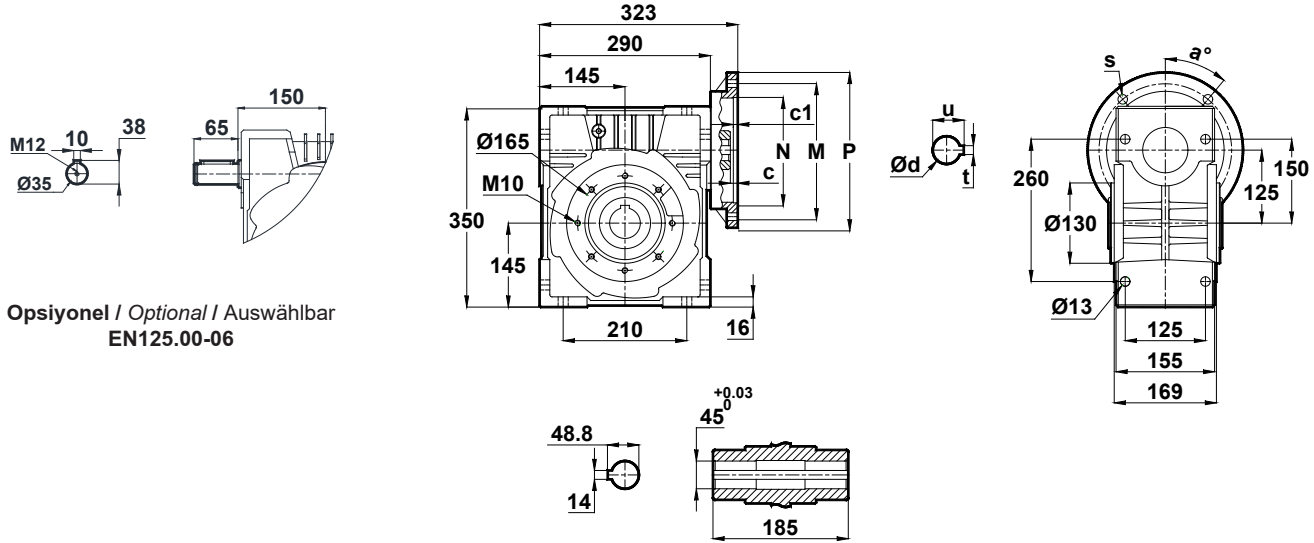


EN125.00



Opsiyonel / Optional / Auswählbar
EN125.00-06

| EN125 | c | c1 | N | M | P | d | u | t | a | s |
|-------------|------|----|-----|-----|-----|----|------|----|-----|----|
| 100-112/B14 | 12,8 | 4 | 110 | 130 | 160 | 28 | 31,3 | 8 | 45° | 9 |
| 132/B14 | 12,8 | 4 | 130 | 165 | 200 | 38 | 41,3 | 10 | 45° | 11 |
| 90/B5 | 12,8 | 4 | 130 | 165 | 200 | 24 | 27,3 | 8 | 45° | 11 |
| 100-112/B5 | 15,8 | 4 | 180 | 215 | 250 | 28 | 31,3 | 8 | 45° | 15 |
| 132/B5 | 15,8 | 4 | 230 | 265 | 300 | 38 | 41,3 | 10 | 45° | 15 |

-Mil ucu çekirtme deliği DIN 332 sayfa 2 / Tapped center hole to DIN 332, sheet 2 / Zentrierung mit Gewinde DIN 332, Blatt 2